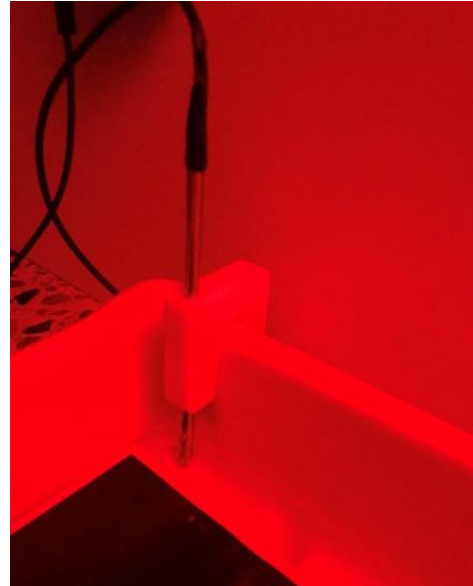


Information Sheet

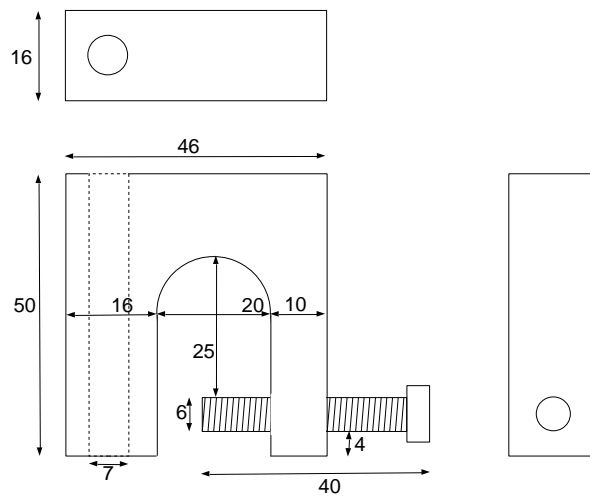
Tray Clamp for Temperature-Compensating Development Timer

Description

For use with the Temperature-Compensating Development Timer, to secure the temperature sensor to a processing tray.



Approximate Dimensions



All dimensions in millimetres.

Directions for Use

Secure over the edge of the tray. Do not overtighten the screw, tighten only sufficiently to hold the sensor steady. Finger tight is normally sufficient, if not, tighten gently with a screwdriver.

The temperature sensor probe is a drop-in loose fit, allowing it to be removed and replaced without demounting the clamp from the tray.